



The Gold Standard for Water Disinfection

GO₂TM INFO SHEET

GO₂TM APPLICATIONS IN THE FOOD INDUSTRY

GO₂ is the 21st Century replacement for environmentally harmful chlorine, which has been in use for over a century to disinfect drinking water. GO₂ is an advanced chemistry to generate chlorine dioxide (ClO₂) in solution with a purity of 95.0+%. Pure ClO₂ is ten times more powerful as an oxidizing biocide than chlorine and chlorine-type disinfectants. GO₂ creates zero disinfection byproducts, (DBP's), including carcinogenic chlorine, chloramines, chlorites and chlorides. GO₂ kills all water-borne micro organisms. These include bacteria, including coliform, salmonella, listeria, E-coli, cinobacteria, viruses, yeast, fungi, mold, algae, spores, protozoans, cryptosporidia, actinomycetes, cysts, giardia, legionnaire's disease, cholera, dengue, hepatitis and typhoid. GO₂ also kills airborne viruses when misted into air or used on contaminated surfaces via HVAC or spray system distribution, including anthrax, influenza, SARS, smallpox, chickenpox and avian flu. The range includes not only viruses which infect humans but viruses that kill poultry, fish and livestock. GO₂ also removes phenols, cyanides, iron, manganese and ethnogeny from water. GO₂ 100.0% eliminates microbial slime from water distribution and storage systems, whether this contamination is in a simple village well, a farm drinking water or irrigation system, or in an entire city.

GO₂ is manufactured in powder form. Combination of two separate components in simple tap water produces a 95.0% pure ClO₂ solution at a concentration of 4,000 ppm. This concentrate is then simply dosed into the target water to produce safe, disinfected water. Minimal investment in equipment or infrastructure is required to use GO₂ just a simple dosing pump and a ClO₂ measuring device. The product is safe and simple to use, transport and store. It has a shelf life of 5 years. One gallon of GO₂ will treat 4,000 gallons of water @ 1.0 PPM.

The concentrate should be stored in a cool, dark place. It will stay potent at 4,000 ppm concentration for 15 days. Thereafter it will gradually decline in strength, retaining 50.0% potency up to 30 days. For all practical purposes, the ability to mix and use a batch of concentrate within 15 days is sufficient.

GO₂ Customers include a variety of industries where safe water is required. These include drinking water from village wells to entire cities, waste water treatment, food and beverage producers, bottled water companies, agriculture, livestock, poultry, dairy, fruit and produce washing, meat processing, the pulp and paper industry, the oil and gas industry, hotels, restaurants, hospitals, cruise ships and marine vessels, swimming pools, hot tubs and spas.



GO₂ comes in powder form. 20kg (44.0 lbs) of component A and 20kg of component B produces 1000 liters (264gal) of 4,000 PPM pure chlorine dioxide. **Minimal equipment** is required, only a mixing tank. GO₂ is a clean process, it is environmentally friendly, safe and produces zero by-products.

GO₂ Key Features

- Eliminates microbial slime and prevent its reformation in drinking water and process water systems
- Environmentally safe chemistry
- Reduces equipment needs and maintenance costs
- Improves water quality
- 2 simple powders mixed in tap water produces pure ClO₂ at 95.0% efficiency of conversion
- Used as a water disinfectant in many countries for industrial, agricultural, municipal and consumer applications.
- Easy, safe and effective to use, store and transport
- Competitive use cost when compared to traditional treatments.

GO₂ Applications in Food Industry

- Water Chiller / Cooling Tower Treatment

GO₂TM is manufactured in the United States

- US EPA Reg. No.: 84912-2
- US EPA Est. No.: 66397-OK-1



APP.014.01.en.090609



Corporate Office
2625 Townsgate Road
Suite 330
Westlake Village
CA 91361
Ph: +1.877.369.4872

Northern California Office
1990 N. California Blvd.
8th Floor
Walnut Creek
CA 94596
Ph: +1.925.408.8026

Mexico Office
Torre IOS Campestre
Av. Ricardo Margain 575
Parque Corp. Sta. Engracia
San Pedro Garza García,
Nuevo León
Mexico 66267
Ph: 52.81.8000.7545

EU Office
Weena 290, 3012 NJ
P.O.Box 819, 3000AV
Rotterdam
The Netherlands
Ph: +3.110.282.1687

GO₂ INFO SHEET

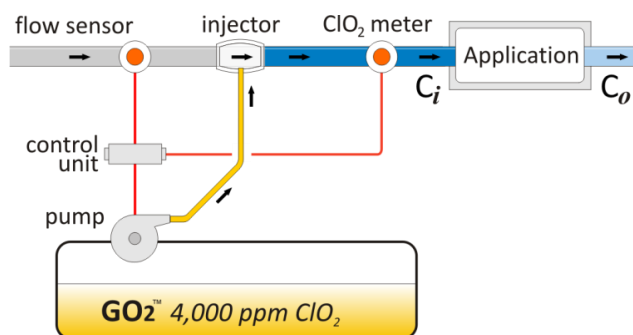
- Product Rinse Lines and Treatment
- Product Belt Treatment
- Environmental Control
- Walls, Floor, Ceiling, Equipment Exterior, Hand & Foot, Fogging, Etc.
- Glycol Chill System Treatment
- Ammonium Chill System Treatment
- Pasteurizer or Retort Cooling Legs
- Product Flume/ Spray/ Dip Treatment
- Brine Treatment
- Water Make-up for Ice Generator
- All Wetted Lubricated Filler Surfaces for Quality Improvements and Extended Runs
- Conveyor Treatment for Slime Cleaning and Extended Runs
- Carbon Bed/ RO/ Softener Cleaning-Alternative to Steam or Chlorine Treatment
- Case or Package Rinsing With Treated Water

GO₂ UNIQUE PROPERTIES

Cleaning Properties

- Powerful inorganic Oxidizing Agent and free radical with residual cleaning ability
- Destroys algae-related taste and odor compounds
- Higher yield (up to 260% more oxidation output compared to chlorine)
- GO₂ does not chlorinate organic materials; so no Chloral-Phenols
- No Disinfection By Products (THM's, HAA's, MX and other carcinogenic compounds)
- Removes microbial slime for water distribution systems
- Steady bactericidal efficacy within a broad range of pH levels (pH 2 to pH 11)
- 100% effective against all water-borne micro-organisms and spore forming bacteria (Bacteria, Viruses, Protozoa, Fungi, Algae)
- No build-up of resistance in micro-organisms. Kills the cell RNA.

Contact: Rich O'Reskie:
Technical Director
GO₂ International
Tel: +1.877.369.4872x103
roreskie@go2intl.com
Cell: +1. 952.250.0132



To apply GO₂, the only equipment required is a storage tank, a flow sensor and injector. These costs are minimal and eliminate investment.

Cost Properties

The elements below are eliminated* by the use of GO₂

- Cost of a conventional CIO₂ Generator (cheapest approximately US \$10,000)
- CIO₂ Generator maintenance and re-certification
- Security Measures
- Risk and Liability Insurance policy

DISCLAIMER: We believe the information contained herein is accurate; however, GO₂ International makes no guarantees with respect to such accuracy and assumes no liability in connection with the use of the information contained herein by any party. The provision of the information contained herein and the provision of information by or reliance on GO₂ International. Technical and Environmental Services Department is not intended to be and should not be construed as legal advice or as ensuring compliance with any country, federal, state or local laws and regulations.

© GO₂ INTERNATIONAL

www.go2intl.com/copyrights

Visit www.go2intl.com

GO₂ INFO SHEET

- Training, certification and re-certification of qualified personnel
- Environmental, Health & Safety factors
- HAZMAT for shipping Liquids
- GO₂ in a "Shoe Box" equals the volume of four x 55 gallon drums of conventional disinfectant liquid
- No additional chemicals are required (e.g. pH-level stabilizers)

GO₂ 4,000 ppm concentrate can treat the following amounts of water at 5 pre-set concentrations:

4,000 ppm kit for	1.0 ppm	0.5 ppm	0.3 ppm	0.2 ppm	0.1 ppm
264 Gal	1,058,201	2,116,402	3,527,337	5,291,005	10,582,011
1,000 Liters	4,000,000	8,000,000	13,333,333	20,000,000	40,000,000

Delivery Mechanism

- 5 years guaranteed shelf life in two-component form
- Easy to mix and use (standard industrial dosage equipment)
- 100.0% solubility in water.
- Ready to use on site in 30 minutes
- 30-60 day shelf-life in 4,000 ppm concentrate form
- 48 - 72 hour biocidal life when added to water
- Produces 95.0% pure ClO₂
- High yield rate, one gallon of GO₂ treats 40,000 gallons of water @ 0.10 PPM ClO₂



For municipal water, GO₂ concentrate is pumped from 1,000 liter tanks into the drinking water system. No dangerous generators or specially secured area's are necessary.

Chemical Properties

- Does not react to water to form hypochlorous acid. No "free chlorine". No harmful By Products. Environmentally friendly.
- Unlike chlorine, GO₂ does not react with ammonia, ammonium or other organic compounds
- Trace amounts of un-reacted Chlorite, Chloride and Sulfate
- High efficiency in the removal of Iron and Magnesium compounds
- Reduces Sulfites to Sulfates

Operational Properties

- No residues
- Non corrosive to systems, pipes, pumps, filters, equipment
- Single-product water cleaner and conditioner
- Effective against airborne diseases when "misted"
- Inexpensive.
- Safe to use, handle, ship and store
- Improves performance of poultry and livestock

Contact: Rich O'Reskie:
Technical Director
GO₂ International
Tel: +1.877.369.4872x103
roreskie@go2intl.com
Cell: +1. 952.250.0132

DISCLAIMER: We believe the information contained herein is accurate; however, GO₂ International makes no guarantees with respect to such accuracy and assumes no liability in connection with the use of the information contained herein by any party. The provision of the information contained herein and the provision of information by or reliance on GO₂ International. Technical and Environmental Services Department is not intended to be and should not be construed as legal advice or as ensuring compliance with any country, federal, state or local laws and regulations.

© GO₂ INTERNATIONAL

www.go2intl.com/copyrights

Visit www.go2intl.com



The Gold Standard for Water Disinfection

**GO₂TM for the
FOOD INDUSTRY**

GO₂ INFO SHEET

Contact: Rich O'Reskie:
Technical Director
GO₂ International
Tel: +1.877.369.4872x103
roreskie@go2intl.com
Cell: +1. 952.250.0132

DISCLAIMER: We believe the information contained herein is accurate; however, GO₂ International makes no guarantees with respect to such accuracy and assumes no liability in connection with the use of the information contained herein by any party. The provision of the information contained herein and the provision of information by or reliance on GO₂ International, Technical and Environmental Services Department is not intended to be and should not be construed as legal advice or as ensuring compliance with any country, federal, state or local laws and regulations.

© GO₂ INTERNATIONAL

www.go2intl.com/copyrights

Visit www.go2intl.com

